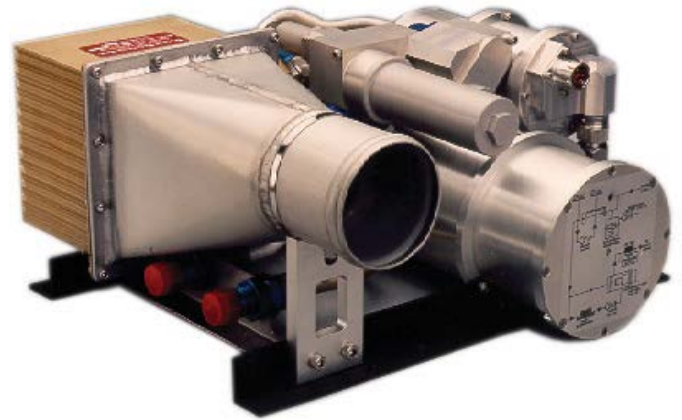


DATA SHEET

# Transmitter Cooling Unit

## Model 2367



### 01 Description

The Model No. 2367 is a complete liquid cooling system for an airborne transmitter. The unit delivers 3.1 kW to ram air. It contains a positive displacement pump assembly, bypass relief valve, accumulator assembly, thermal relief valve, liquid-to-air heat exchanger, thermal bypass and check valves.

The unit is fully qualified for a wide variety of cooling requirements.

### 02 Key features and benefits

- Delivers 3.1 kW to ram air
- Qualified for a wide variety of cooling requirements

### 03 Applications

- Wide variety of cooling requirements

### 04 Contact

Meggitt Defense Systems  
9801 Muirlands Blvd  
Irvine, CA 92618, USA  
Tel: +1 (949) 465 7700  
Fax: +1 (949) 465 9560

[www.meggittdefense.com](http://www.meggittdefense.com)  
[www.meggitt.com](http://www.meggitt.com)

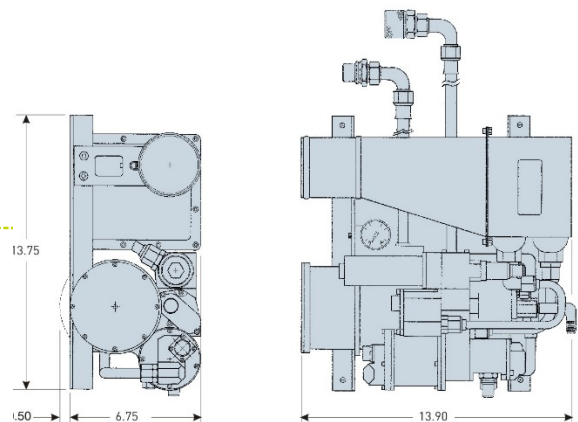
DATA SHEET

# Transmitter Cooling Unit, Model 2367

## 05 Specifications

Fluid	PAO
System assembly	
Pump type	Positive displacement gear pump
Fluid flow rate	3.0 gpm
Fluid discharge pressure	120.0 psid
Fluid inlet pressure	5.0 psig
Input voltage	15/200 vac, 3ø, 400 Hz, wye-connected, 4-wire induction
Motor type	Induction
Power consumption	530 watts max
Current drain	1.5 amps/phase
Fluid temperature	158°F
Valve, bypass relief	Bypass 3.0 gpm by 100.0 psid
Accumulator volume	0 in <sup>3</sup> at 1.0 psig, 75.5 in <sup>3</sup> at 15.0 psig
Accumulator Type	Rolling diaphragm
Valve type	Thermal bypass; flow is diverted around the heat exchanger below 100°F and through the heat exchanger by 125°F
Pressure indicator type	Switch, differential pressure; normally closed, open at 10.0 psig
Heat exchanger	
Type	Plate-fin
Cooling media	Liquid/air
Heat load	3300 watts
Inlet air temperature	Max 95°F
Outlet fluid temperature	Max 158°F
Air flow	17.2 lbs/min
Fluid flow	3.0 gpm
Fluid pressure drop	5.0 psid max
Filter rating	5 micron absolute
Fluid charging manifold fittings	6 quick disconnect, AN815-6 Union
Materials	Aluminum alloy or 300 series stainless steel, fluorosilicone in contact with fluid
Weight	24.0 lbs

## 06 Outline details



Note: Due to continuous process improvement, specifications are subject to change without notice. TCO Review # 125